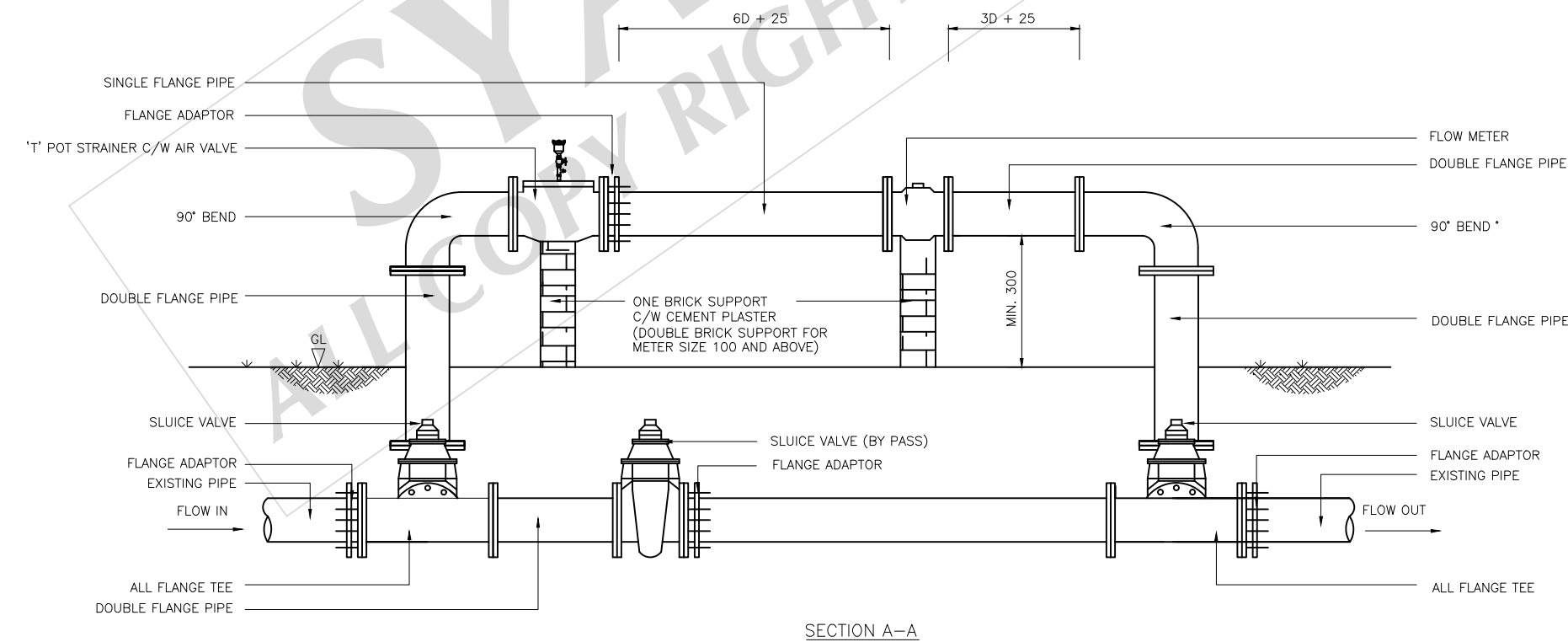
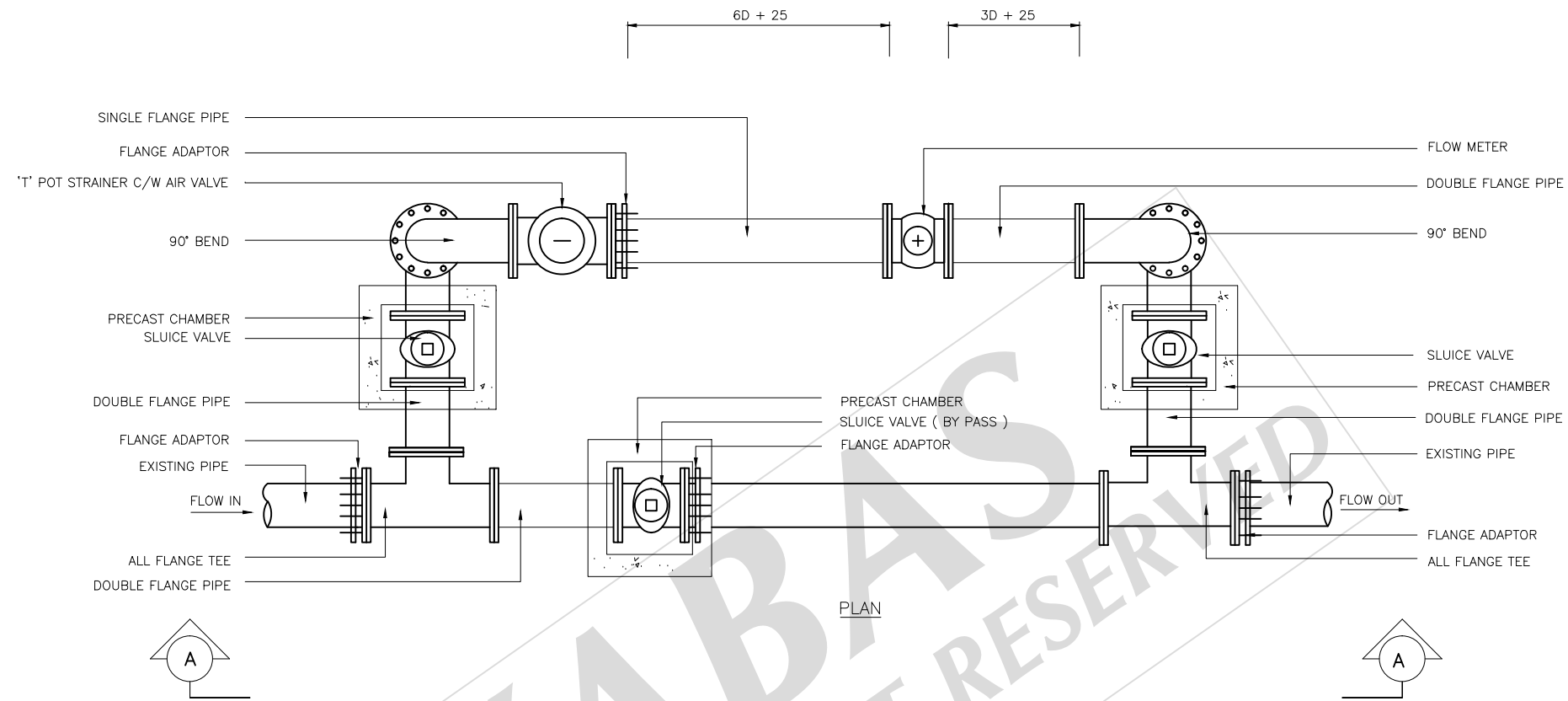


NOTE:



REV.	DESCRIPTION	DATE



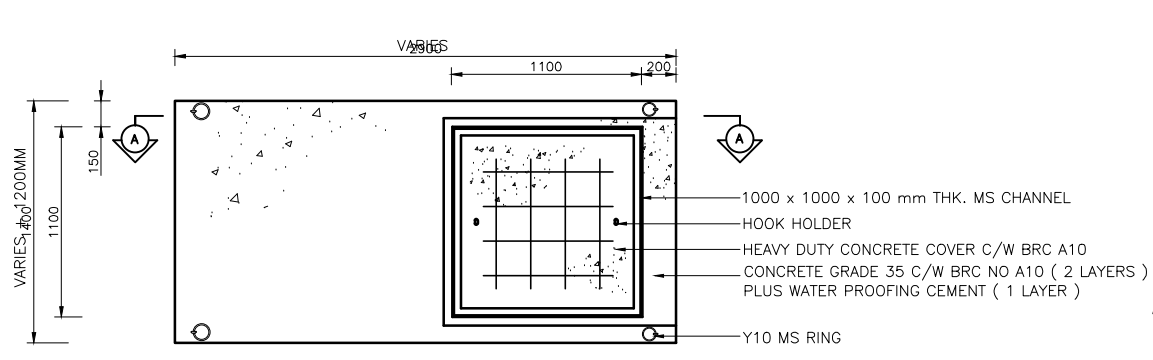
SYARIKAT BEKALAN AIR SELANGOR SDN BHD
 PETI SURAT 5001,
 JALAN PANTAI BAHRU,
 59990, KUALA LUMPUR.
 TEL NO : 03 - 2282 6244 / 03 - 2283 1111
 FAX NO : 03 - 2282 5498
 LAMAN WEB : www.syabas.com.my
 EMAIL : puspel@syabas.com.my

PROJECT :

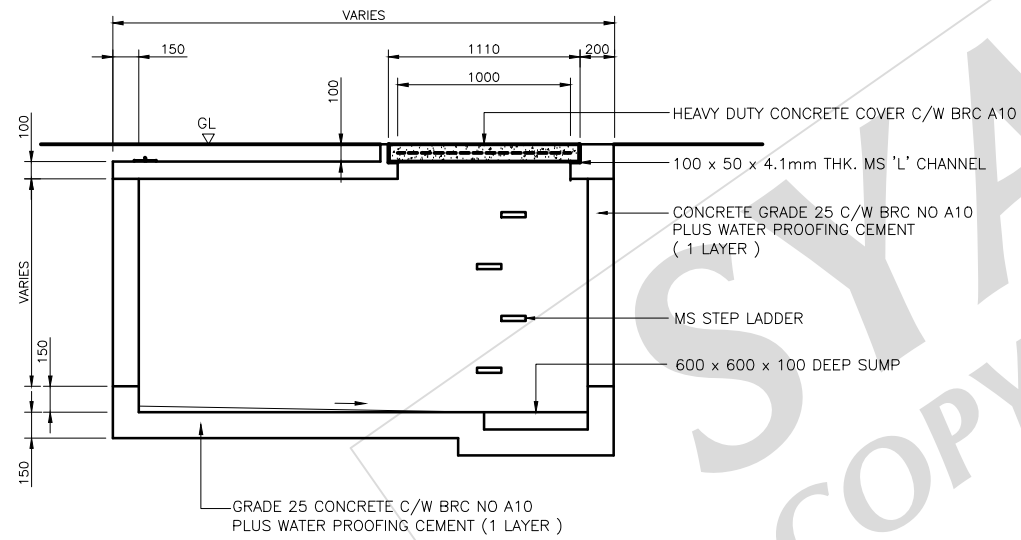
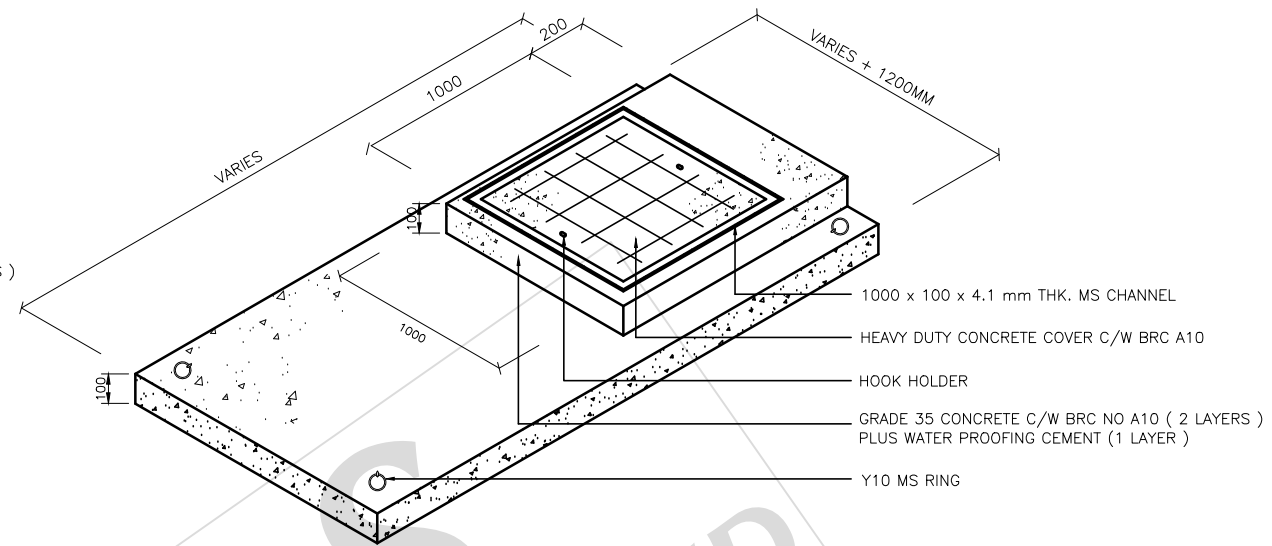
DRAWING TITLE :
 TYPICAL DETAILS OF EXPOSED FLOW METER INSTALLATION
 (FOR DMZ)

DRAWN BY : AI	DESIGNED : TAM
CHECKED : MRG	APPROVED : YB
SCALE : NTS	DATE : AUG 2014

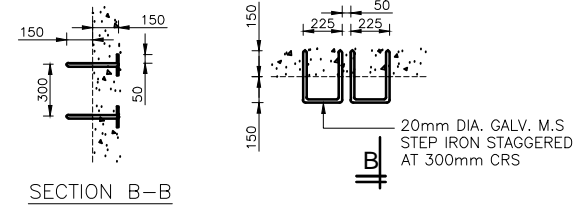
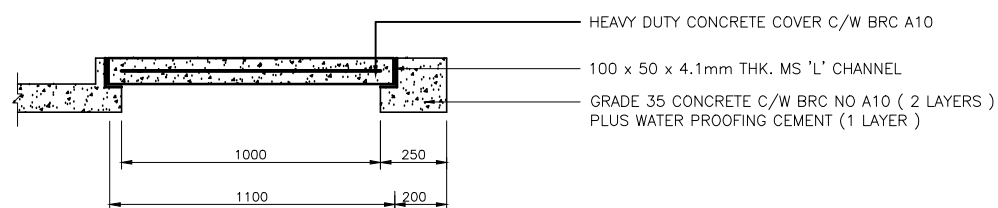
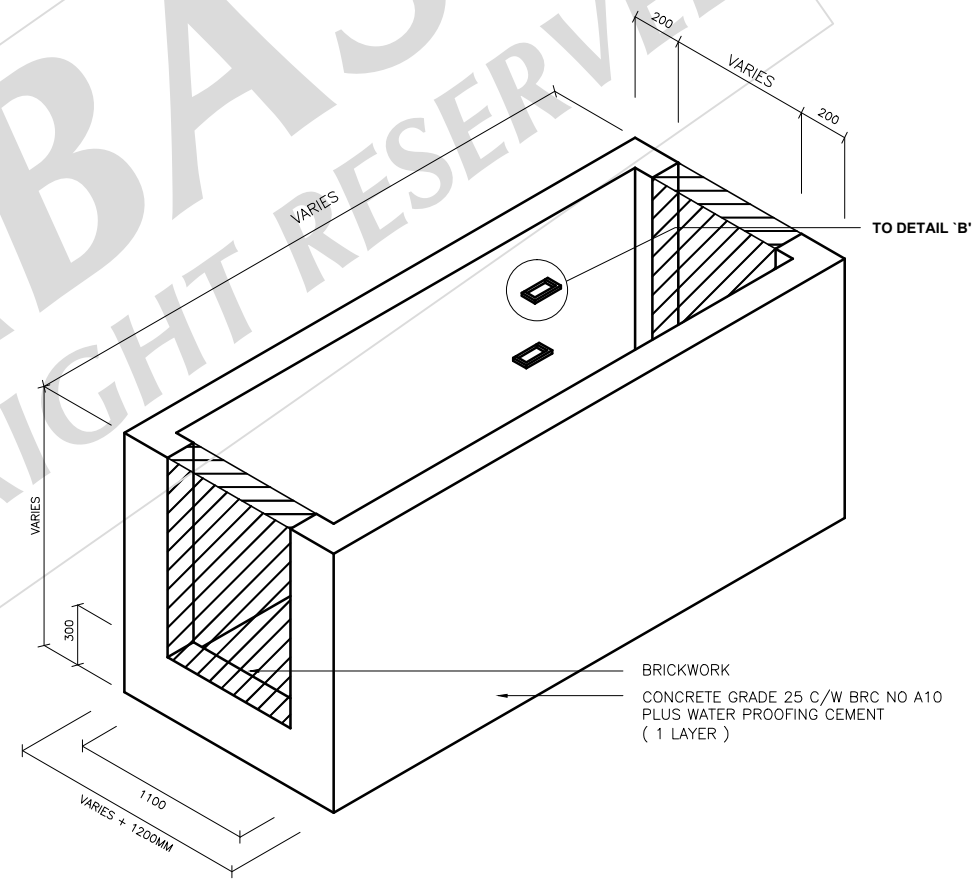
DRAWING NO:
 SYA / PDD / NRW / 002



PLAN



SECTION A-A



NOTE:

REV.	DESCRIPTION	DATE



SYARIKAT BEKALAN AIR SELANGOR SDN BHD
 PETI SURAT 5001,
 JALAN PANTAI BAHRU,
 59990, KUALA LUMPUR.
 TEL NO : 03 - 2282 6244 / 03 - 2283 1111
 FAX NO : 03 - 2282 5498
 LAMAN WEB : www.syabas.com.my
 EMAIL : puspel@syabas.com.my

PROJECT :

DRAWING TITLE :
 TYPICAL DETAILS OF UNDER PREMIX CHAMBER

DRAWN BY : AI	DESIGNED : TAM
CHECKED : MRG	APPROVED : YB
SCALE : NTS	DATE : AUG. 2014

DRAWING NO:
 SYA/ PDD / NRW / 004

DOUBLE FLANGE PIPE
 "T" POT STRAINER C/W AIR VALVE
 DOUBLE FLANGE PIPE
 SLUICE VALVE
 PRECAST CHAMBER LIGHT DUTY
 90° BEND

STEAM SOCKET UP
 PRESSURE POINT WELDING WITH
 90° ELBOW PIPE INTO CHAMBER
 TO BE FINAL WITH STOPCOCK 1/4"
 (NOT GATE VALVE)

DOUBLE FLANGE PIPE
 EXISTING PIPE

FLOW IN

FLANGE ADAPTOR
 ALL FLANGE TEE
 PRECAST CHAMBER LIGHT DUTY
 SLUICE VALVE

600 x 600 x 100 DEEP SUMP

FLOW METER
 FLANGE ADAPTOR
 SINGLE FLANGE PIPE
 SLUICE VALVE
 PRECAST CHAMBER LIGHT DUTY

90° BEND

STEAM SOCKET DOWN
 PRESSURE POINT WELDING WITH
 90° ELBOW PIPE INTO CHAMBER
 TO BE FINAL WITH STOPCOCK 1/4"
 (NOT GATE VALVE)

DOUBLE FLANGE PIPE

EXISTING PIPE

FLOW OUT

FLANGE ADAPTOR
 ALL FLANGE TEE
 SINGLE FLANGE PIPE

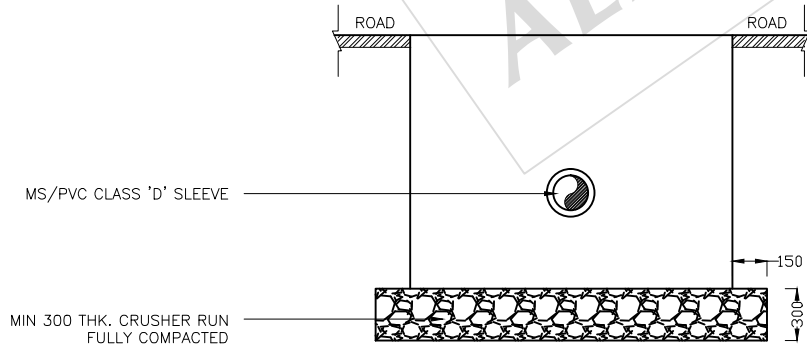
PLAN

DOUBLE FLANGE PIPE
 "T" POT STRAINER C/W AIR VALVE
 CLAY BRICK WALL TO BE
 PLASTERED BOTH SIDE WITH
 WATER PROOFING CEMENT
 SLUICE VALVE
 90° DI BEND
 DOUBLE FLANGE PIPE
 90° BEND
 300MM THK. AGGREGATE (3/4")
 FULLY COMPACTED

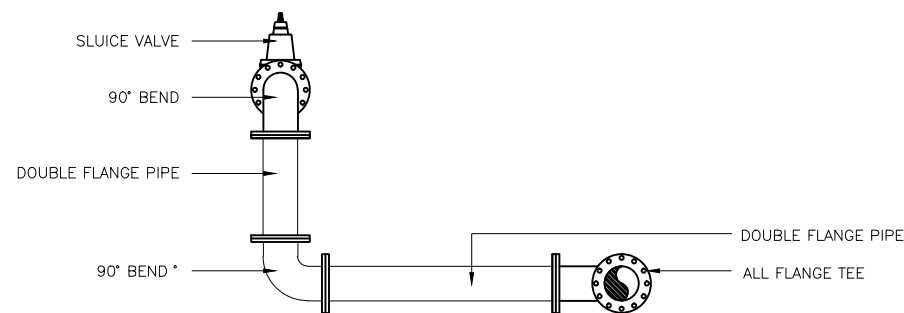
DETAIL 'A'

FLOW METER
 FLANGE ADAPTOR
 DOUBLE FLANGE PIPE
 SLUICE VALVE
 90° DI BEND *
 DOUBLE FLANGE PIPE
 DRAIN PIPE TO DISCHARGE
 TO THE NEAREST DRAIN
 90° BEND
 600 x 600 x 100 DEEP SUMP

SECTION A-A



DETAIL 'A'



SECTION B-B

NOTE:

REV.	DESCRIPTION	DATE



SYARIKAT BEKALAN AIR SELANGOR SDN BHD
 PETI SURAT 5001,
 JALAN PANTAI BAHRU,
 59990, KUALA LUMPUR.
 TEL NO : 03 - 2282 6244 / 03 - 2283 1111
 FAX NO : 03 - 2282 5498
 LAMAN WEB : www.syabas.com.my
 EMAIL : puspel@syabas.com.my

PROJECT :

DRAWING TITLE :
 TYPICAL DETAILS OF UNDER GROUND FLOW METER INSTALLATION

DRAWN BY : AI	DESIGNED : TAM
CHECKED : MRG	APPROVED : YB
SCALE : NTS	DATE : AUG. 2014

DRAWING NO:
 SYA / PDD / NRW / 005